



ASTM D7137



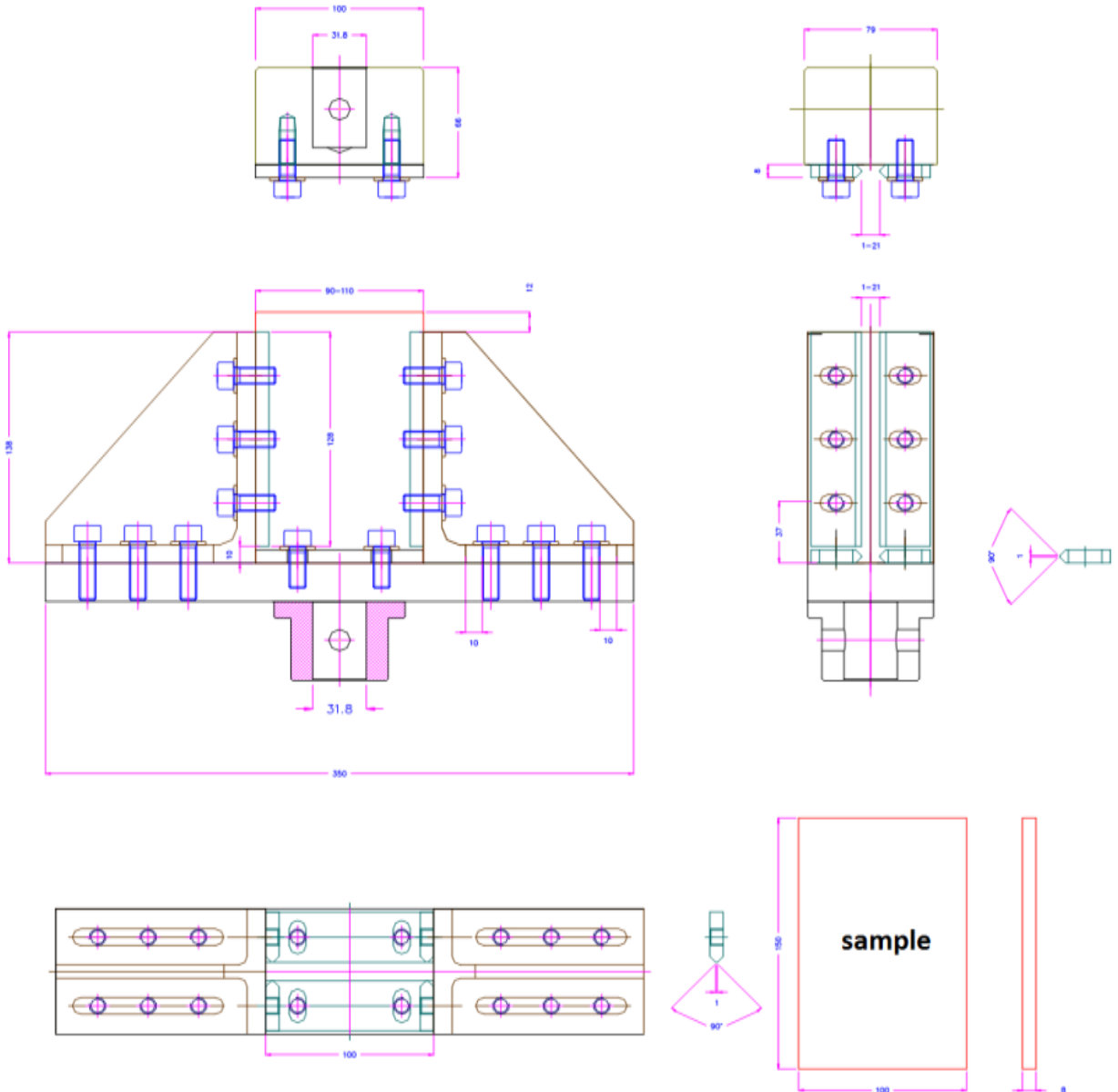
Compression Rating: 100kN or more (depending on adapter size)

Construction Material: Nickel Plated A6 tool steel

Adapter Couping: 1.25" female with 1/2" locking pin or custom

Notes: This fixture is designd exactly according to the ASTM D7137 standard.

Schematic (mm)



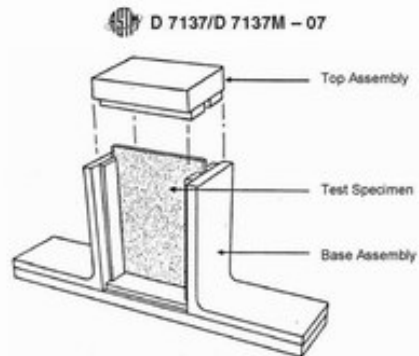
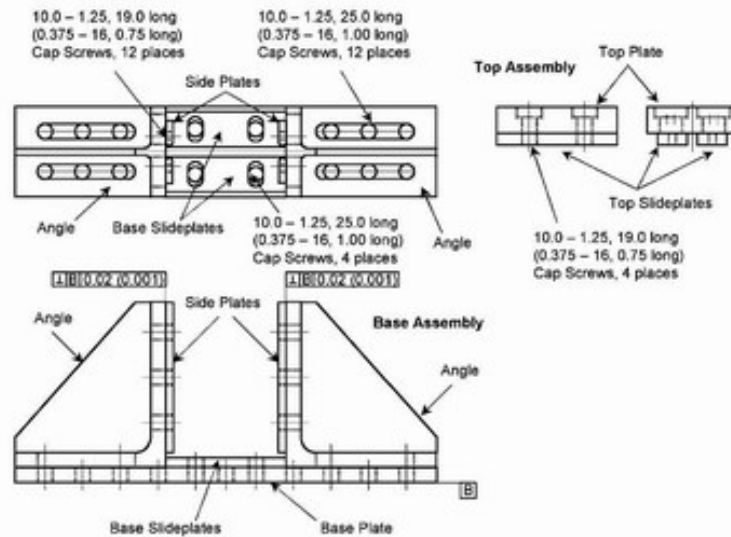


FIG. 1 Schematic of Compressive Residual Strength Support Fixture with Specimen in Place



Notes

- 1) All dimensions in millimeters (inches) unless otherwise specified.
- 2) Dimensional tolerances are linear ± 0.5 mm (± 0.02 in.), angular ± 0.5 degrees.
- 3) Break all edges.
- 4) Gusssets on angles are optional but recommended.

FIG. 2 Support Fixture Assembly