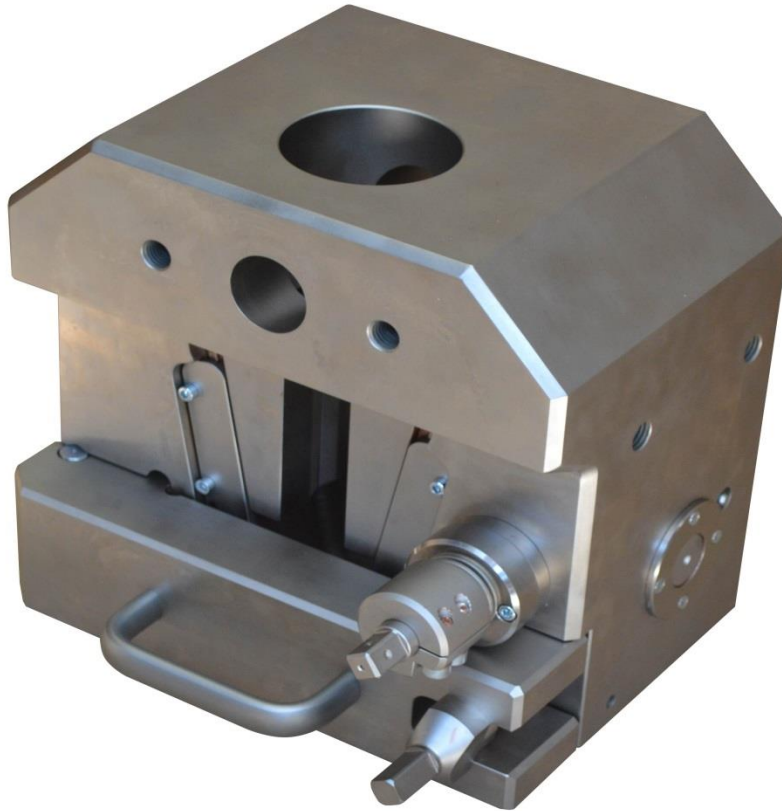




Mechanical Wedge Grips – 300kN



Max Capacity: 300kN/67K lbs.

Weight: 75kg each

Sample Dimensions: See Jaw Insert Options

60mm female coupling with locking pin

Low wedge angle (11°) for high capacity testing

Can be closed with crank (included) or pneumatic drill

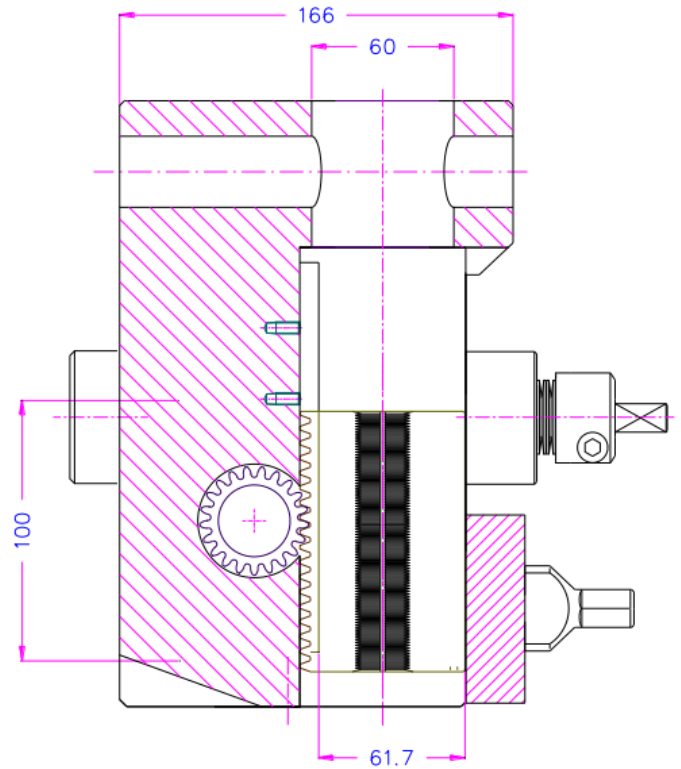
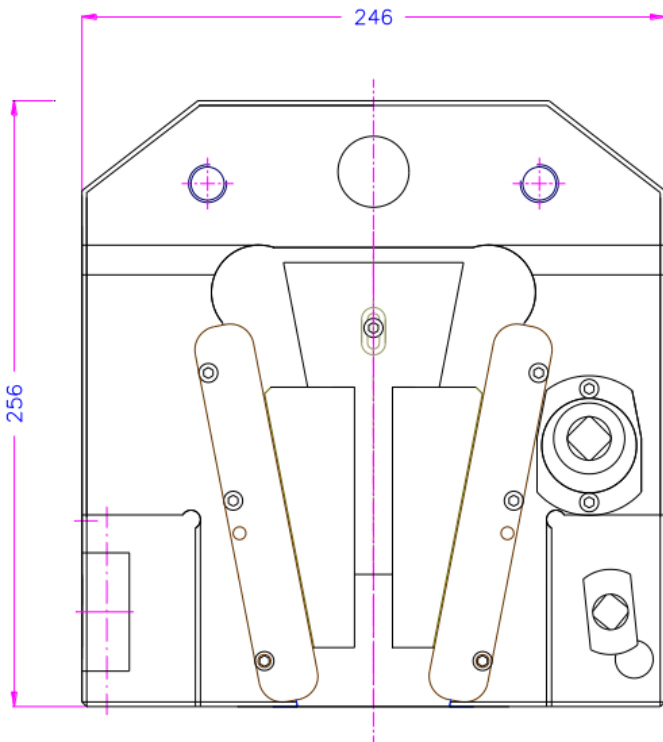
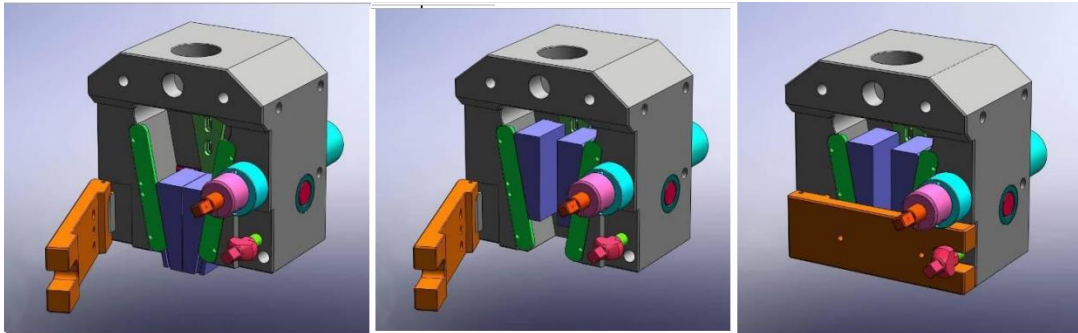
www.universalgripco.com

72 Loring Ave. St. 2 Salem, MA 01923

978-882-1480



Schematic (mm)



Jaw Inserts

V-Jaw (Round)

Serrated (Flat)



Surface	Clamping surface	Width of opening Max 0-30mm	Weight per pair
Pyramid 1.2mm division	50x100	0-20 mm	
Pyramid 1.2mm division	50x100	20-40 mm	0.75
V-jaws inset for round	24x100	5-20 Ø mm	
V-jaws inset for round	24x100	12-26 Ø mm	
V-jaws inset for round	24x100	22-36 Ø mm	1.00
Diamond jaws inset for	50x100	0-20 Ø mm	
Diamond jaws inset for		4-8 Ø mm	