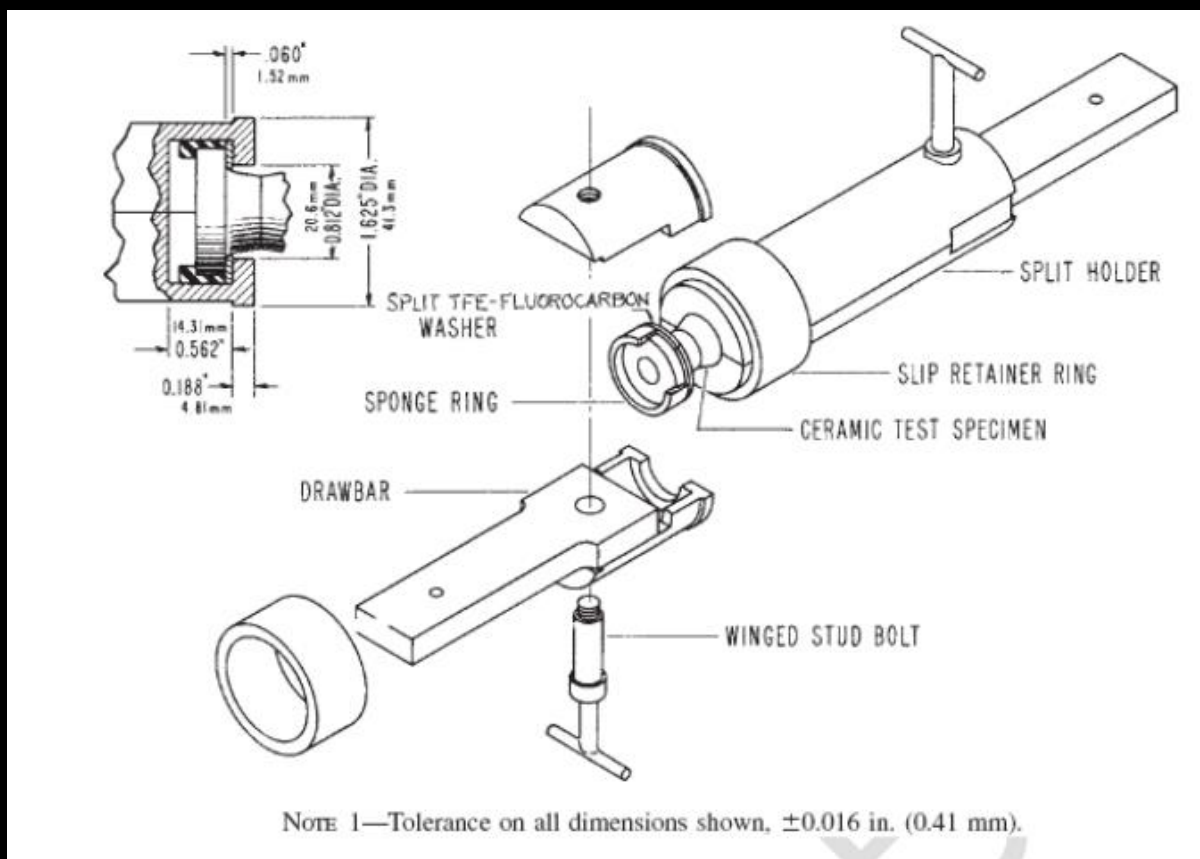




## ASTM F19 Fixture Metal-Ceramic Seals – Tensile Testing



[www.universalgripco.com](http://www.universalgripco.com)

72 Loring Ave. St. 2 Salem, MA 01923

978-882-1480



# Schematic

